

Unlimited flexibility

Mobile walls are not new; they have been around almost as long as Espero has. They are used to temporarily divide up, enlarge or reduce areas whilst providing or maintaining the required sound insulation. Thus multi-functional rooms can be created to the benefit of the owners and users.

The application of mobile walls is limitless: restaurants, hotels, conference centres, schools, offices, hospitals, exhibition halls, theatres and most public buildings. Mobile walls provide flexibility in utilisation of space. Espero's philosophy is to be more than that by being flexible in every sense.

The architect's choice

It is the architect's job to be creative. Espero's task is to respond to the architect's creativity in a flexible and yet practical manner. In a word Espero responds positively to the unlimited imagination of the architect. Espero is a dynamic company continually re-evaluating existing products and developing new products. The expertise of Espero is unchallenged.

Espero was established sixty years ago and has become a key player in Europe and is the market leader in The Netherlands. Espero has developed a manufacturing process allowing for the shortest lead times without compromising the very high standard of quality. This accounts for the excellent working relationship Espero has maintained with the construction industry.





Design and operation

The Espero Sonico consists of a number of individual sandwich panels that are suspended from and move along an overhead track. The panels are pushed together and interlock to form a wall. The panels are composed of a self-supporting aluminium frame reinforced with steel and high quality particle boards on both sides.

Acoustic integrity is achieved as follows: along the top and bottom of the panels by means of extendable pressure seals, along the vertical sides by acoustic rubber seals and internally with high performance sound absorbing materials. The sound insulation quality is further enhanced by a sound-break between the frame and outer boards. A telescopic end-panel enables the wall to be vertically locked into position completing the acoustic seal.

The Sonico range is available with laboratory tested sound insulation values from $R_w = 37 \text{ dB}$ to 53 dB .

The patented Espero Quick system ensures that the pressure seals are extended and retracted by a single 180° turn of a removable operating handle. Once retracted the panels can be moved effortlessly and quietly along the especially designed aluminium overhead track system. The track and carrier system provides ease of operation and flexibility allowing walls to be positioned or parked in countless configurations. The Sonico has been tested for sound reduction by internationally recognised test laboratories. In addition the Espero Sonico is TÜV approved.

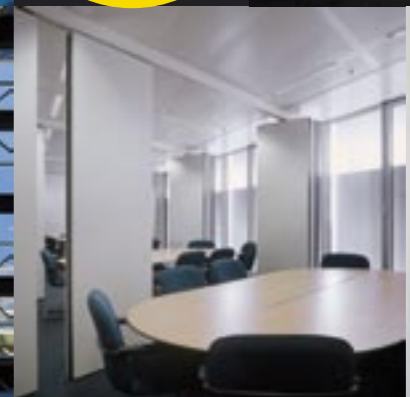


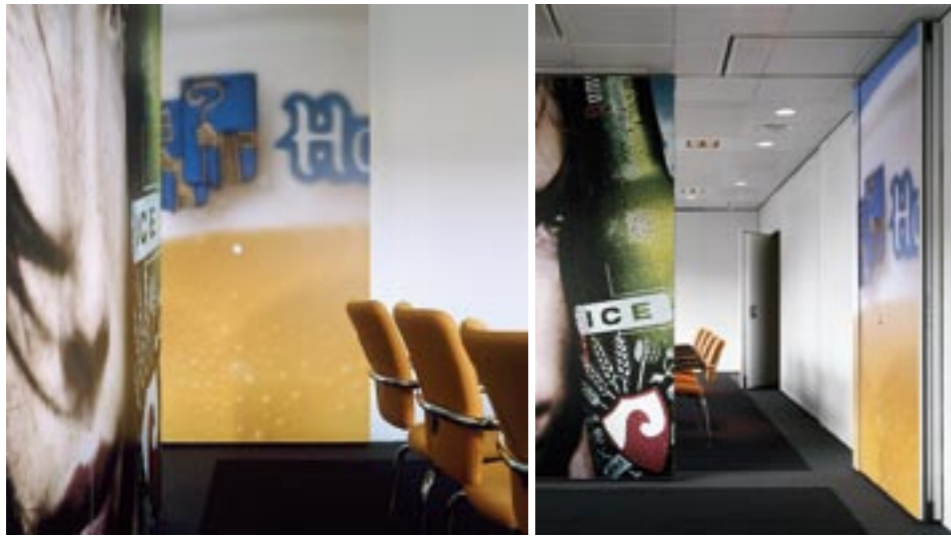


ESPERO

Appearance

The Sonico mobile wall comes in three different versions.
Type 85: slim-line version with visible vertical aluminium profiles.
Type 100: heavy-duty version with vertical and horizontal aluminium profiles. All aluminium profiles can be lacquered to suit.
Type 110: the aesthetic version with concealed aluminium profiles.







Finishes

Each panel can be finished to the client's specification. All finishes used in interior design can be applied offering total creative freedom. For example: high quality melamine, hard plastic laminate, vinyl, digital prints, mirrors, paint, steel sheets, acoustic boards and veneers which are stitched, glued and lacquered in Espero's own factory.

ESPERO



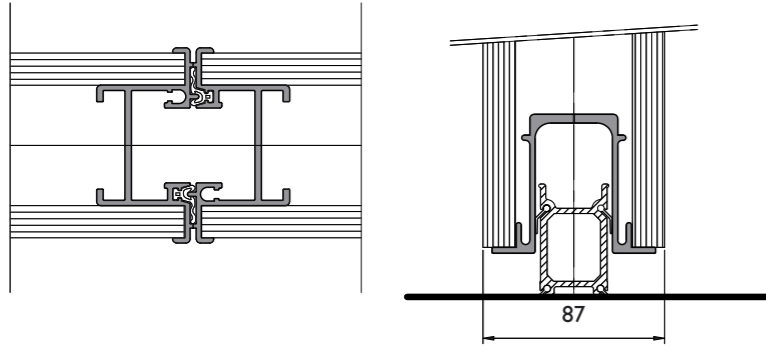
Key characteristics and benefits

- Espero Sonico mobile walls can be positioned and parked away easily, quickly and silently
- configuration of the walls is limitless: straight, curved, ascending (auditorium), around corners, etc.
- all finishes in interior design can be applied
- choice of three different types of Sonico walls 85/100/110
- no maximum width restrictions
- heights of up to 13 metres
- extensive choice of sound ratings from 37 dB to 53 dB
- choice of magnetic profiles for ultimate ease of panel location
- track can be seamlessly integrated in any kind of ceiling
- fire resistant version available upon request

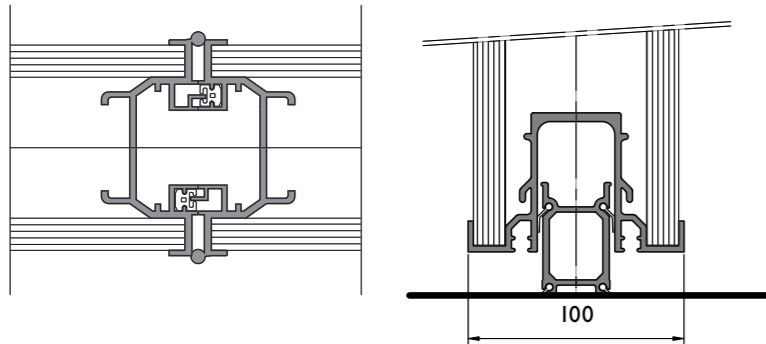


ESPERO

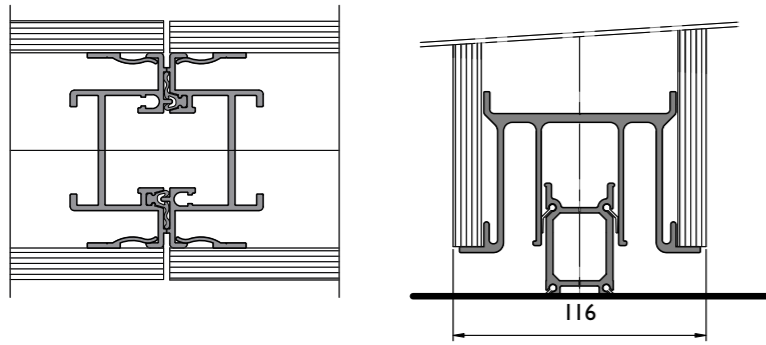
Sonico 85



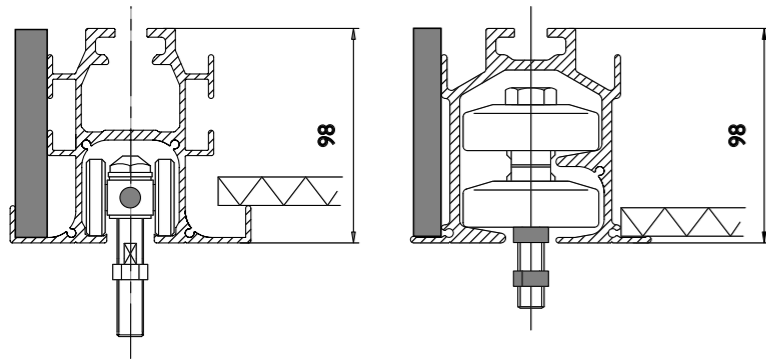
Sonico 100



Sonico 110



1- / 2- point track



Options and possibilities

This brochure shows the Espero Sonico wall with single and double doors and walls with glass openings. Espero has completed many challenging and interested projects such as walls in excess of 12 metres height and walls with a special horizontal telescopic function to accommodate a snow bearing construction. If a design requirement falls outside of Espero's comprehensive range and vast experience the R&D-department will create the product to suit the client's specification.

Besides the Sonico range Espero offers three other product ranges:

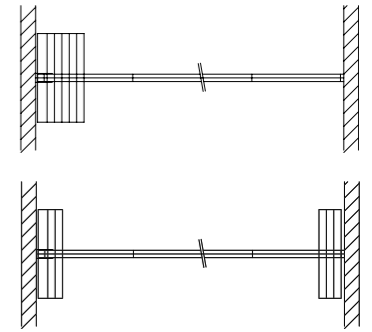
- Visio and Visio 85 mobile glass walls
- Flexio flat-folding walls
- Uno and Duplo folding walls

For brochures on the above mentioned products, technical data sheets, drawings and/or a lists of references please contact Espero or visit the Espero website at www.espero.net

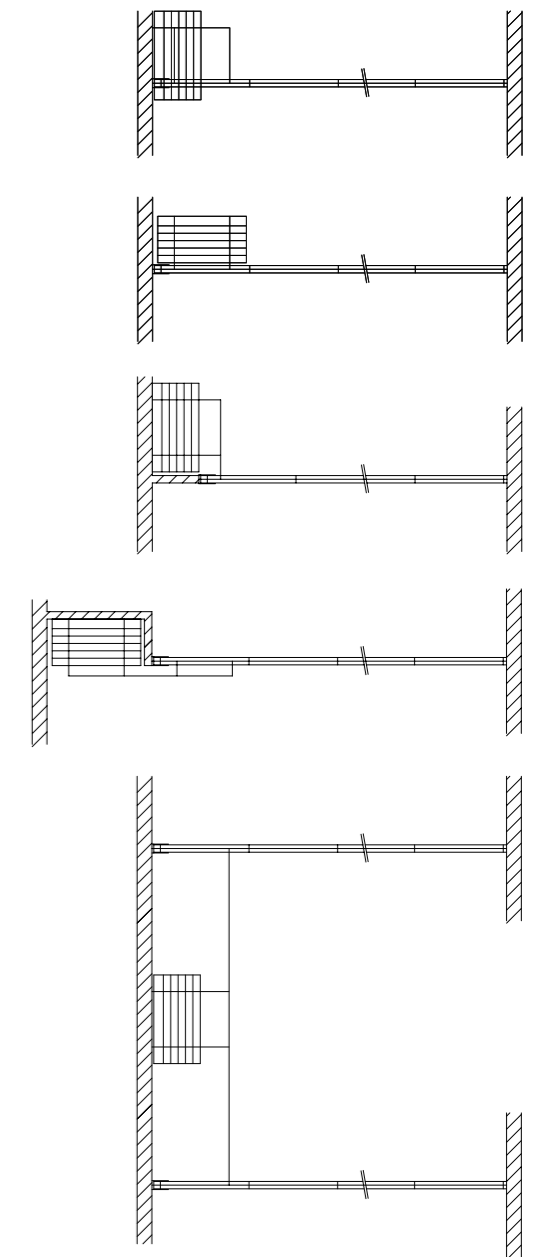
Techn. specifications	Type 85	Type 100	Type 110
Sound Insulation dB (Rw)			
lab. value	37/42	39/46/50	37/41/45/50/53
Width in mm.	87	100	116
Weight kg/m ²	30/45	35/55	36/60
Max. panel height in mm.	5000	13000	7000
For all types:			
Max. width of opening	Limitless		
Panel width in mm.	550-1250		
Sealing pressure	0,4 KN		
Rail system	< 400 kg per panel: aluminium > 400 kg per panel: steel		

Other panel sizes and values possible by request.

Sonico 1- point track parking options



Sonico 2- point track parking options



Sonico panel positioning

